

Steps to success

Lockdown work	
Date	26.2.21
Subject/s	Maths
Learning Objective	To find a fraction of an amount.



SA	TA

Success Criteria 	I know that I need to split an amount into equal groups to find a fraction of it.		
	I can find a fraction of an amount.		
	I can use objects and pictorial representations to help me.		
Support	Independently	Support ()	Group work

Pre-task:

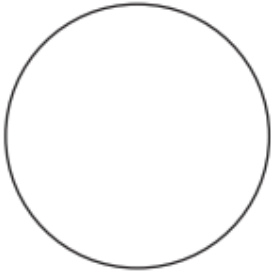
Find $\frac{1}{5}$ of Eva's marbles.




Find half by dividing a number into two equal parts.
 Find a quarter by dividing a half into two equal parts.

1. Find a half and a quarter of each of these numbers.
 Draw circles to help you.


a.



1 whole = 12

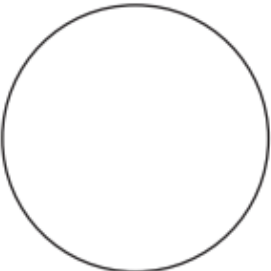


$\frac{1}{2} =$




$\frac{1}{4} =$


b.



1 whole = 4

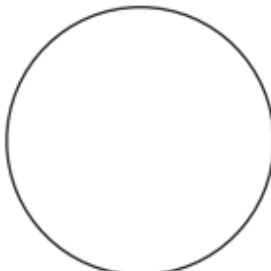


$\frac{1}{2} =$




$\frac{1}{4} =$


c.



1 whole = 16



$\frac{1}{2} =$



$\frac{1}{4} =$

Fluency 2

1. Find $\frac{1}{4}$ of 16
2. Find $\frac{1}{3}$ of 9
3. Find $\frac{1}{3}$ of 6
4. Find $\frac{1}{4}$ of 8
5. Find $\frac{1}{4}$ of 20
6. Find $\frac{1}{5}$ of 10
7. Find $\frac{1}{3}$ of 24
8. Find $\frac{1}{4}$ of 28

Reasoning and problem-solving:



Whitney has 12 chocolates.



On Friday, she ate $\frac{1}{4}$ of her chocolates and gave one to her mum.

On Saturday, she ate $\frac{1}{2}$ of her remaining chocolates, and gave one to her brother.

On Sunday, she ate $\frac{1}{3}$ of her remaining chocolates.

How many chocolates does Whitney have left?



Fill in the Blanks

$$\frac{1}{3} \text{ of } 60 = \frac{1}{4} \text{ of } \square$$

$$\square \text{ of } 50 = \frac{1}{5} \text{ of } 25$$